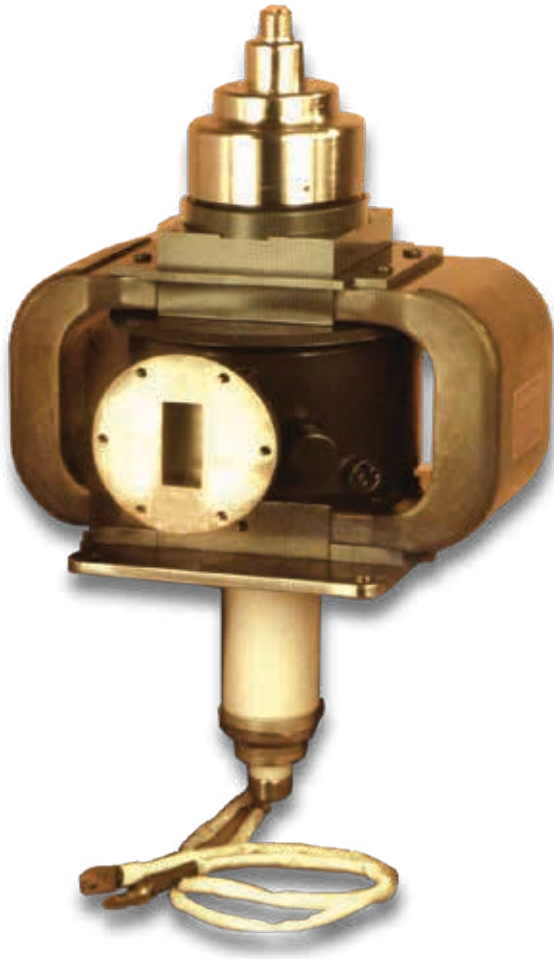


## Communications & Power Industries Coaxial Magnetron



### FEATURES:

- Frequency 6.7 – 7.4 GHz
- Peak power output 100 kW
- Duty cycle .001
- Anode voltage 18 kV
- Anode current 19 amps
- Pulse width 0.5 microseconds
- Heater 5 volts @ 20 amps
- Air cooled
- Mechanically tunable

### BENEFITS:

- Long life
- Exceptional frequency stability

### APPLICATIONS:

- Threat simulator radars
- Weather radars

# CPI C-Band 100 kW Coaxial Magnetron: VMC1360GD

## Electrical Specifications

Frequency	6.7 – 7.4 GHz
Peak Power Output	100 kW
Average Power Output	100 W
Pulse Voltage	16.0 – 20.0 kV
Peak Anode Current	25 A
Average Anode Current	19 mA
Pulse Width	3.0 $\mu$ S
Duty Cycle	0.001
Maximum Filament Voltage	7.5 V
Maximum Filament Current	25 A
Minimum Warm-Up Time	300 S
Maximum Load VSWR	1.5:1

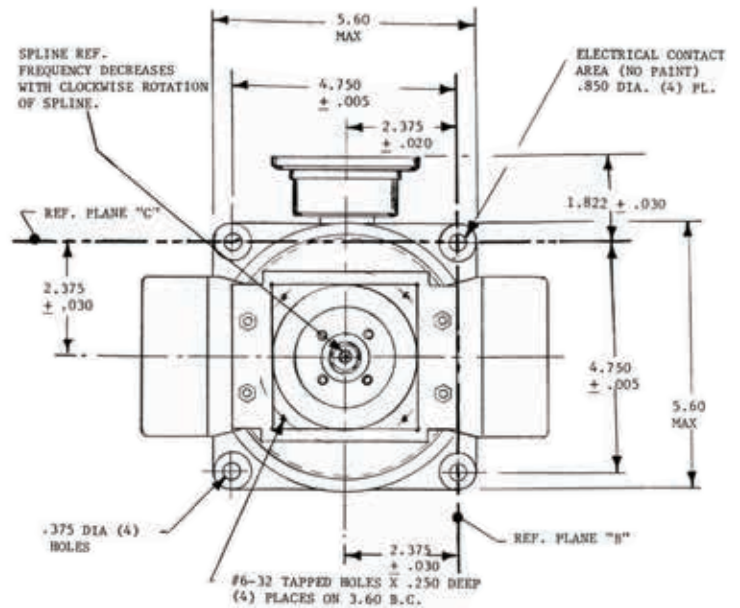
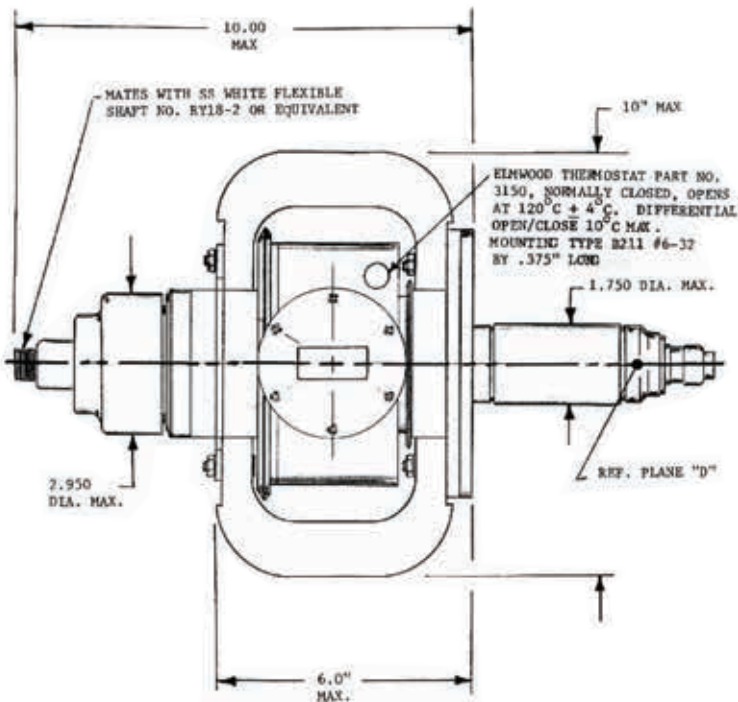
## Mechanical and Environmental Specifications

Cooling	Forced air
Maximum Body Temperature	120°C
Mounting Position	Any
Support	Mounting flange
Coupling	WR 237 mates with UG343A/U choke flange

\*Electrical specifications are typical. Other operating conditions are obtainable.

With a history of producing high quality products, we can help you with your magnetron.

Contact us at [BMDMarketing@cpii.com](mailto:BMDMarketing@cpii.com) or call us at +1 978-922-6000.



**Beverly Microwave Division**  
150 Sohier Road  
Beverly, Massachusetts  
USA 01915

tel +1 978-922-6000  
email [BMDMarketing@cpii.com](mailto:BMDMarketing@cpii.com)  
fax +1 978-922-8914  
web [www.cpii.com](http://www.cpii.com)

For more detailed information, please refer to the corresponding CPI technical description if one has been published, or contact CPI. Specifications may change without notice as a result of additional data or product refinement. Please contact CPI before using this information for system design.

©2020 Communications & Power Industries LLC. Company proprietary; use and reproduction is strictly prohibited without written authorization from CPI.